

# Xenon Searchlight

**NORSE**light



**XS 500 R10, XS 1000 R10,  
XS 1600 R10**  
**Remote Controlled**

## Applications

The Xenon searchlights XS 500, XS 1000 and XS 1600 are suitable for all sizes of ships.

Through a unique color distribution, the Xenon lamp rapidly detects ice and illuminates surface objects. Its beam range is 4 times that of a Halogen light.

Built with corrosion-resistant components, the searchlights are designed for extreme marine environments and require minimum maintenance.

Lightweight and simple to mount, these searchlights provide reliable lighting in all kinds of temperatures.

For power supply unit and panels, see separate brochures.

## Features

- Designed to meet applicable marine requirements IP56
- Applicable to sub-zero temperatures of -50° C (-58° F)
- Thermostatic control for continuous performance and lighting efficiency
- Stepless adjustable 340 degrees horizontal and 55 degrees vertical movement
- Remote controlled narrow or wide beam (stepless)
- Stainless steel forks and fittings
- Seawater-resistant, aluminium housing finished in white Corrocoat polyester
- Durable silver-plated glass reflector
- Electromagnetic compatibility (EMC)



Reference photo

## Accessories



Power supply



Main panel

## Options

- Spread filter



Pedestal



Slave panel



**NM 210E - A (02.03)**

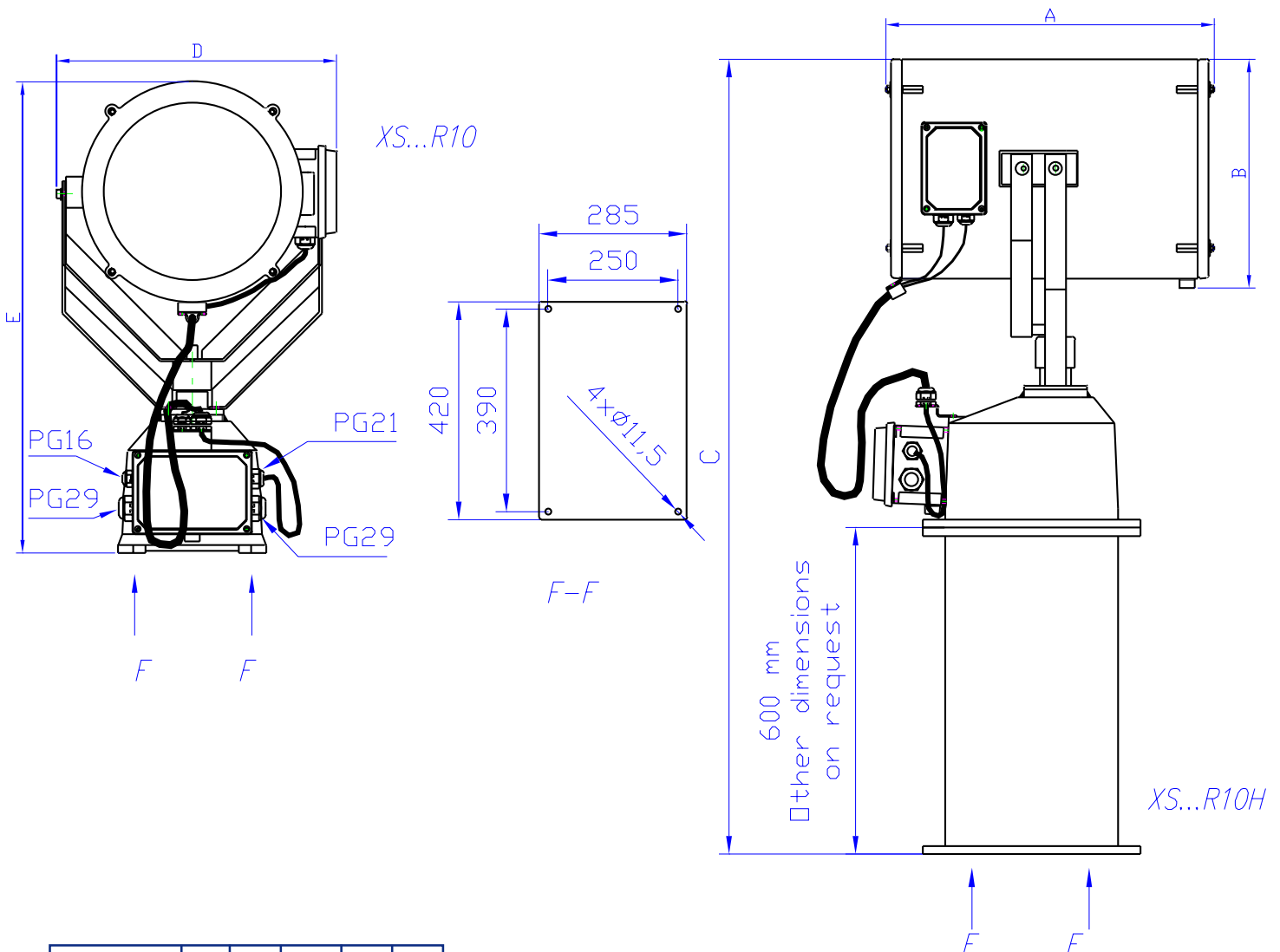
# Technical data

XS 500 R10, XS 1000 R10, XS 1600 R10

Technical data Search-light	Voltage (Volt)	Power (Watt)	Divergence	Range * (m)	Covered area Ø (m)	Range at 1/4 lux (m)	Luminous intensity (cd)	Weight (kg)**	
								R10	R10H
XS 500 R10	115/230	500	2° - 7°	4600	560	9200	21 x 10 <sup>6</sup>	42	52
XS 1000 R10	115/230	1000	2° - 7°	6400	780	12800	40 x 10 <sup>6</sup>	47	57
XS 1600 R10	115/230	1600	3° - 8°	7200	1000	14400	52 x 10 <sup>6</sup>	47	57

\*Theoretical estimated range

\*\*Excl. power supply



Type	A	B	C	D	E
XS 500 R10	470	410	1470	470	870
XS 1000 R10	610	425	1508	515	910
XS 1600 R10	610	425	1508	515	910

Measures in mm