

# Xenon Searchlight

**NORSElight**



**XS 1000RS2, XS 1600RS2  
XS 2000RS2, XS 3000RS2  
Remote controlled**

## Applications

The Xenon searchlights XS 1000, XS 1600, XS 2000 and XS 3000 are suitable for all sizes of ships.

The color distribution of the Xenon lamp makes it especially applicable for detection of ice, as well as giving a range that is 4 times higher than that of Halogen light.

All the components are chosen to withstand corrosion. The searchlights are designed for use in extreme marine environments and require a minimum of maintenance.

Benefiting from low weight and simple mounting, these searchlights are designed to operate across a wide temperature range.

For power supply unit and panels, see separate brochures.

## Features

- Designed to meet applicable marine requirements IP56
- Applicable to sub-zero temperatures of -50° C (58° F)
- Thermostatic control for continuous performance and lighting efficiency
- Stepless adjustable 340 degrees horizontal and 60 degrees vertical movement
- Remote controlled wide or narrow beam operation
- Unlimited cable length between main panel and searchlight
- Stainless steel forks and fittings
- House in seawater resistant aluminium finished in white Corrocoat polyester
- Durable silver-plated glass reflector
- Electromagnetic compatibility (EMC)



Reference photo

## Accessories



Main panel



Power supply

## Options

- Spread filter




Slave panel



**NM 220E - A (02.03)**

# Technical data

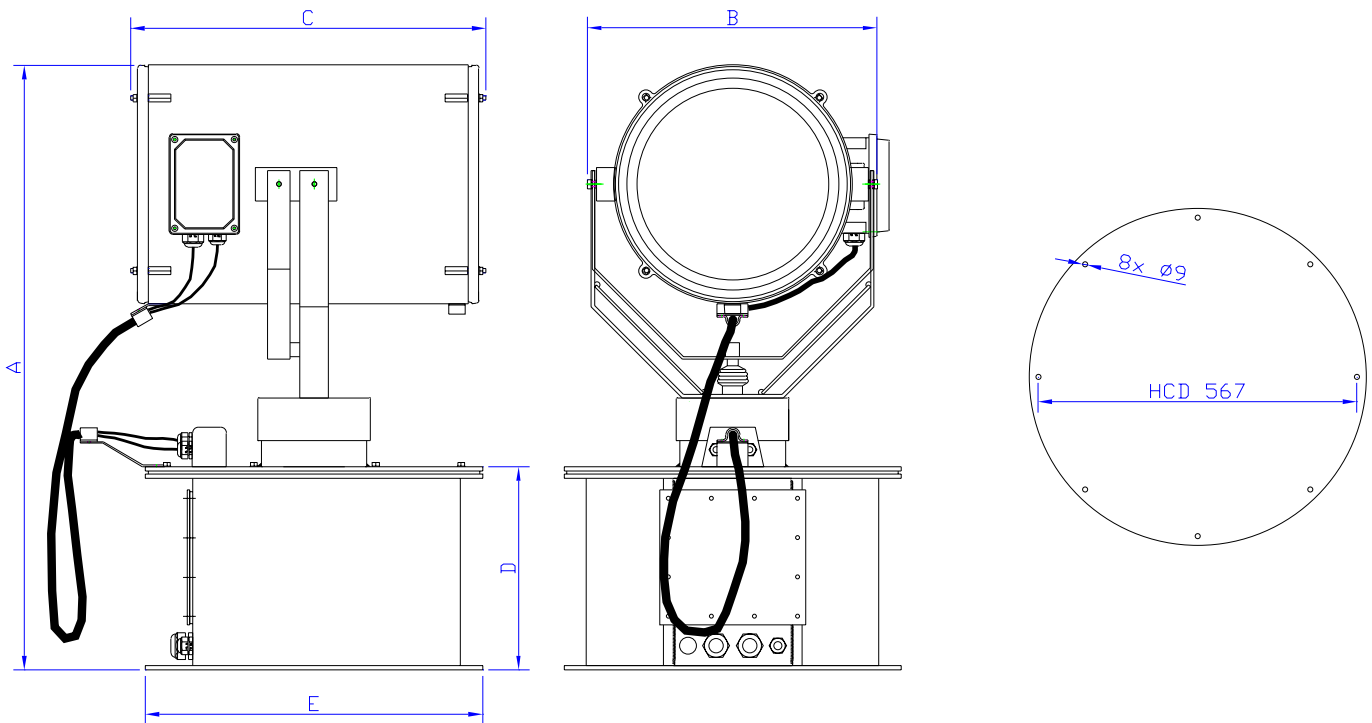
XS 1000 RS2, XS 1600 RS2,  
XS 2000 RS2, XS 3000 RS2

Technical data Search-light	Volt***	Power (Watt)	Divergence	Range * (m)	Covered area Ø (m)	Range at 1/4 lux (m)	Luminous intensity (cd)	Pan-sector	Tilt-sector	Pan-speed	Tilt-speed	Weight** (kg)
				at 1 lux								
XS 1000 RS2	115/230	1000	2° - 7°	6400	228	12800	43 x 10 <sup>6</sup>	± 170°	 30° 30°	1 - 18° / s	2,8° / s	80
XS 1600 RS2	115/230	1600	3° - 8°	7200	369	14400	50 x 10 <sup>6</sup>					80
XS 2000 RS2	115/230	2000	2° - 7°	9200	325	18400	87 x 10 <sup>6</sup>					84
XS 3000 RS2	115/230	3000	3° - 8°	9600	499	19200	91 x 10 <sup>6</sup>					86

\*Theoretical estimated range

\*\*Excl. power supply

\*\*\*Other voltages on request



Search light	A	B	C	D	E
XS 1000 RS2	1056	515	635	360	600
XS 1600 RS2	1056	515	635	360	600
XS 2000 RS2	1172	615	685	360	600
XS 3000 RS2	1172	615	685	360	600

Measures in mm