

## Halogen Searchlight



**SH 260 R30, SH 310 R30,  
SH 470 R40  
Remote Controlled**

### Applications

The Halogen searchlights SH 260, SH 310 and SH 470 are intended for all sizes of ships.

Built with corrosion-resistant components, the searchlights are designed for extreme marine environments and require minimum maintenance.

Lightweight and simple to mount, these searchlights are designed to operate in all kinds of temperatures.

For control panels, see separate brochure.

**NORSElight**

### Features

- Designed to meet applicable marine requirements IP56
- Applicable to sub-zero temperatures of  $-50^{\circ}\text{C}$  ( $-58^{\circ}\text{F}$ )
- Thermostatic heating in motor house for optimal working conditions
- Stainless steel forks and fittings
- Seawater-resistant, aluminium housing finished in white Corrocoat polyester
- Durable silver-plated glass reflector specially designed for halogen bulbs
- Antidazzle shade
- Main panel in standard instrument size (96x96mm)



Reference photo

### Accessories



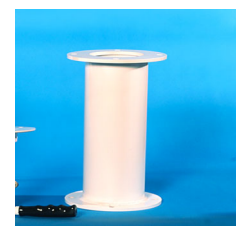
Main panel

### Options

- Thermostatic heating in drum
- Pedestal
- Canvas cover
- Spread filter



Slave panel



Pedestal



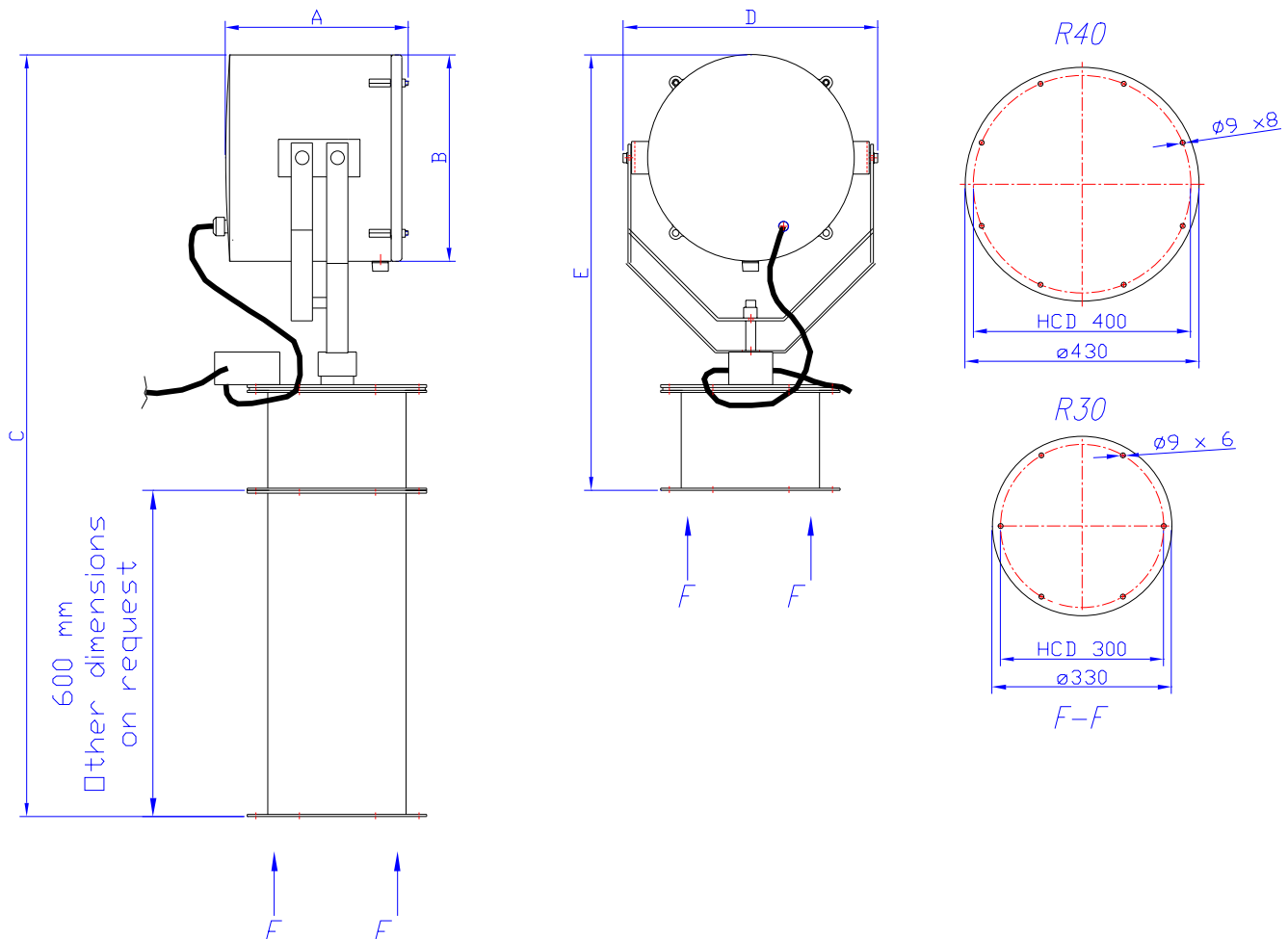
# Technical data

**NORSElight**

SH 260 R30, SH 310 R30,  
SH 470 R40

Technical data Search-light	Voltage (Volt)	Power (Watt)	Socket	Divergence	Luminous intensity (cd)	Range *(m)	Covered area Ø (m)	Intensity 250 m (lux)	Weight (kg)	
										H **
SH 260 R30	24	250	Gx 6,35	7,6°	6,5 x 10 <sup>6</sup>	2454	340	104	18	23
SH 310 R30	24	500	E40	5,8°	4,2 x 10 <sup>6</sup>	2063	208	68	22	27
	115/230	1000	Gx 9,5	11,0°	2,3 x 10 <sup>6</sup>	1540	295	36		
SH 470 R40	115/230	2000	GY16	10,8°	5,6 x 10 <sup>6</sup>	2366	447	90	30	38

\*Theoretical estimated range  
\*\*H: with pedestal for high mounting



Type	A	B	C	D	E
SH 260 R30	280	330	1385	425	775
SH 310 R30	336	380	1400	468	800
SH 470 R40	380	525	1580	615	980

Measures in mm