

Halogen Searchlight

NORSElight



**SH 260 R10, SH 310 R10,
SH 370 R10, SH 470 R10
Remote Controlled**

Applications

The Halogen searchlights SH 260, SH 310, SH 370 and SH 470 are intended for all ships.

Built with corrosion-resistant components, the searchlights are designed for extreme marine environments and require minimum maintenance.

Lightweight and simple to mount, these searchlights provide reliable lighting in all kinds of temperatures.

For control panels, see separate brochure.

Features

- Designed to meet applicable marine requirements IP56
- Applicable to sub-zero temperatures of -50°C (-58°F)
- Thermostatic control for continuous performance and lighting efficiency
- Stepless adjustable 340 degrees horizontal and 55 degrees vertical movement
- Stainless steel forks and fittings
- Seawater-resistant, aluminium housing finished in white Corrocoat polyester
- Durable silver-plated glass reflector specially designed for halogen bulbs
- Antidazzle louvre



Reference photo

Accessories



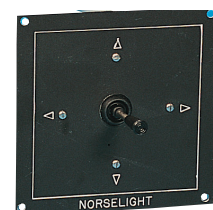
Main panel

Options

- Thermostatic heating in drum
- Electrically-controlled wide and narrow beam
- Canvas cover
- Spread filter



Pedestal



Slave panel



NM 010E - A (02.02)

Technical data

NORSElight

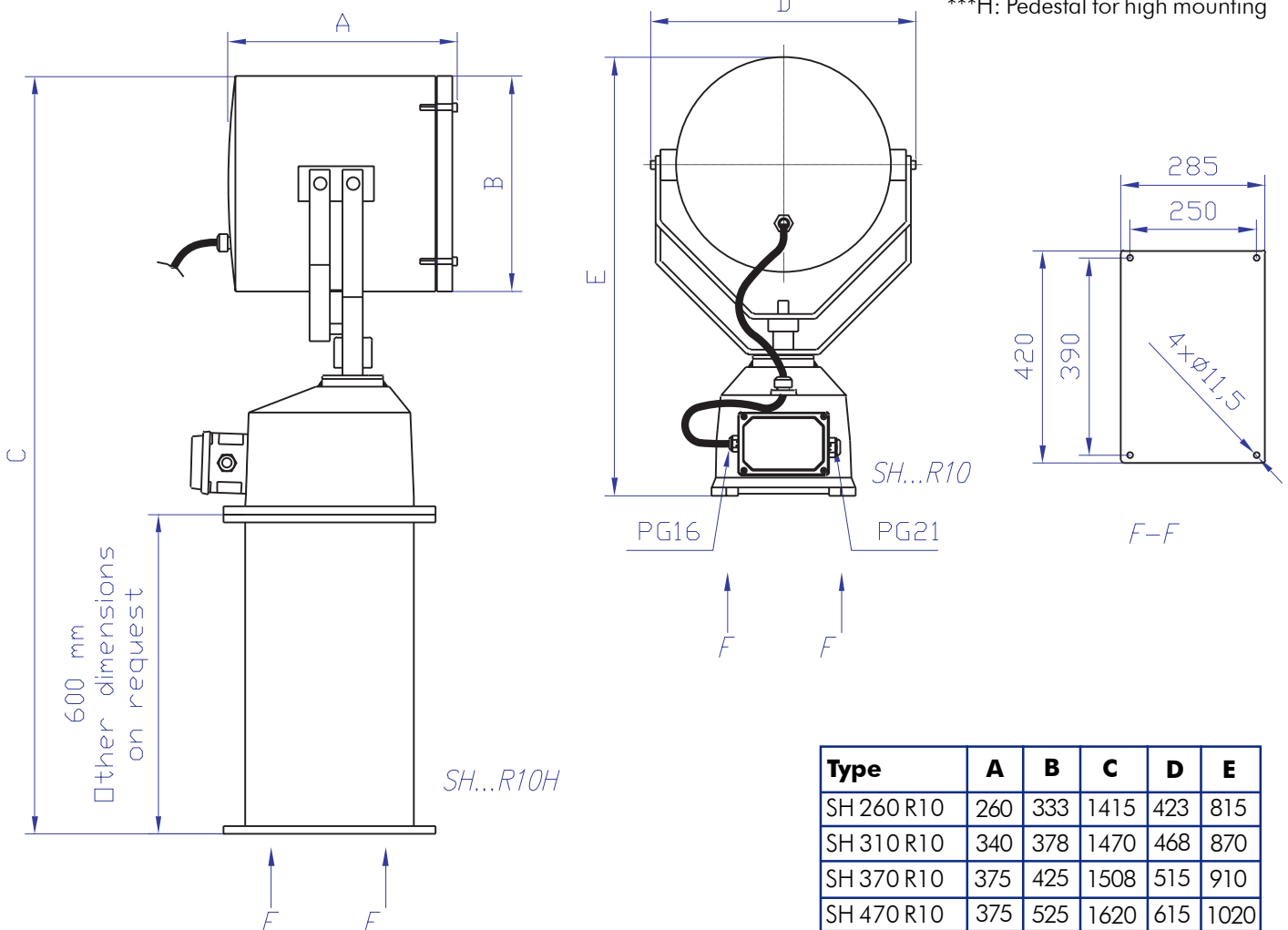
SH 260 R10, SH 310 R10,
SH 370 R10, SH 470 R10

Technical data Search-light	Voltage (Volt) *	Power (Watt)	Socket	Divergence	Luminous intensity (cd)	Range ** (m) at 1 lux	Covered area Ø (m)	Intensity 250 m (lux)	Weight (kg)	
									R10	R10H ***
SH 260 R10	24	250	Gx 6,35	7,6°	6,5 x 10 ⁶	2454	340	104	31	41
SH 310 R10	24	1000	K39d	7,0°	3,8 x 10 ⁶	1962	239	61	32	42
		500	E40	5,8°	4,2 x 10 ⁶	2063	208	68		
SH 370 R10	24	250	Gx 6,35	4,5°	6,2 x 10 ⁶	2507	197	100	36	46
		1000	K39d	5,7°	4,8 x 10 ⁶	2205	219	77		
SH 470 R10	24	500	E40	4,3°	4,5 x 10 ⁶	2119	158	71	41	51
		250	Gx 6,35	3,3°	6,6 x 10 ⁶	2574	149	106		
SH 470 R10	230	1000	Gx 9,35	8,3°	2,4 x 10 ⁶	1571	228	39	41	51
		2000	GY16	10,8°	5,6 x 10 ⁶	2366	447	90		
		1000	GY16	10,8°	4,1 x 10 ⁶	2043	281	66		

*115V on request

**Theoretical estimated range

***H: Pedestal for high mounting



Type	A	B	C	D	E
SH 260 R10	260	333	1415	423	815
SH 310 R10	340	378	1470	468	870
SH 370 R10	375	425	1508	515	910
SH 470 R10	375	525	1620	615	1020

Measures in mm

Norselight AS, P.O. Box 1006, NO - 1787 Berg, NORWAY, TELEPHONE: (+47) 69 17 99 99
TELEFAX: (+47) 17 99 89, E-MAIL: office@norselight.no, INTERNET: www.norselight.com