

# Halogen Searchlight

**NORSE**light



**SH 260 D, SH 310 D,  
SH 370 D, SH 470 D  
Direct Operated**

## Features

- Designed to meet applicable marine requirements IP56
- Adjustable beam
- Heat-resistant, silicon rubber front ring gasket
- Seawater-resistant, aluminium housing finished in white Corrocoat polyester
- Hardened front glass
- Durable silver-plated glass reflector, specially designed for halogen bulbs
- Stainless steel fork, screws and nuts
- Antidazzle louvre



## Applications

The Halogen searchlights SH 260, SH 310, SH 370 and SH 470 are intended for all ships.

Built with corrosion-resistant components, the searchlights are designed for extreme marine environments and require minimum maintenance.

Lightweight and simple to mount, these searchlights provide reliable lighting in all kinds of temperatures.

The following versions are available:

<b>D</b> Direct operated	<b>DH</b> Direct operated -high-
	

## Options

- Thermostat controlled heating in drum
- Pedestal for high mounting
- Spread filter
- Canvas cover
- Morse shutter



Morse shutter



# Technical data

**NORSElight**

SH 260 D, SH 310 D,  
SH 370 D, SH 470 D

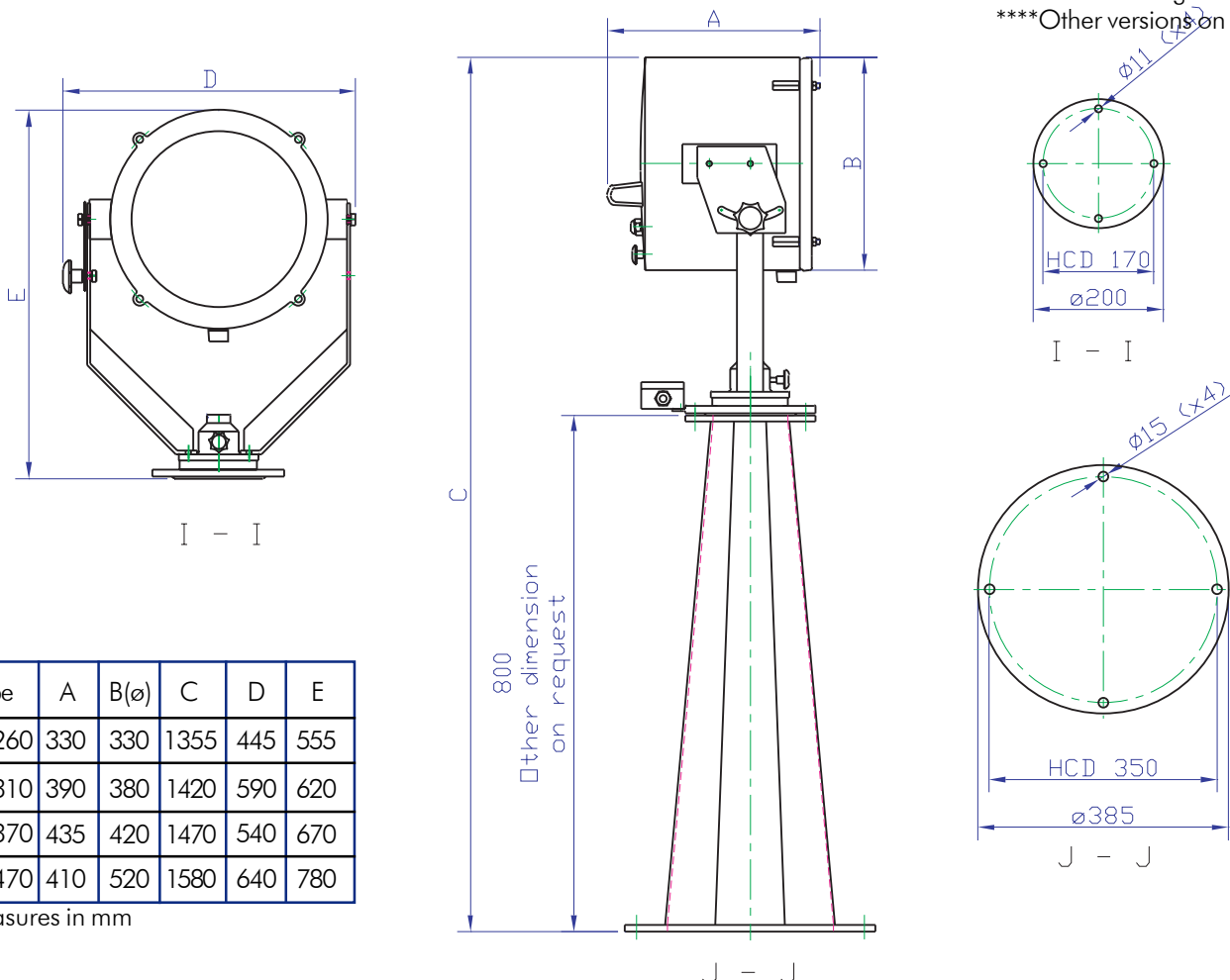
Search-light	Voltage (Volt)*	Power (Watt)****	Socket	Divergence	Range ** (m)	Covered area Ø (m)	Luminous intensity (cd)	Intensity at 250m (lux)	PAN-sector	Tilt-sector	Weight (kg)	
											D	DH ***
SH 260	24	250	Gx6,35	7,6°	2454	340	6,5 x 10 <sup>6</sup>	104	± 170°		11	19
SH 310	230	1000	Gx9,5	11,0°	1540	295	2,3 x 10 <sup>6</sup>	36			15	23
		650	Gx9,5	10,0°	1490	260	2,2 x 10 <sup>6</sup>	35				
	24	1000	K39d	7,0°	1962	239	3,8 x 10 <sup>6</sup>	61				
		500	E40	5,8°	2063	208	4,2 x 10 <sup>6</sup>	68				
SH 370	230	1000	Gx9,5	11,0°	1571	228	2,4 x 10 <sup>6</sup>	39			17	25
		1000	K39d	5,7°	2205	219	4,8 x 10 <sup>6</sup>	77				
	24	500	E40	4,3°	2119	158	4,5 x 10 <sup>6</sup>	71				
		250	Gx6,35	3,3°	2574	149	6,6 x 10 <sup>6</sup>	106				
SH 470	230	2000	GV 16	10,8°	2366	447	5,6 x 10 <sup>6</sup>	90			22	30
		1000	K39d	5,4°	2868	270	8,2 x 10 <sup>6</sup>	131				
	24	500	E40	4,1°	2755	195	7,6 x 10 <sup>6</sup>	121				
		250	Gx6,35	3,2°	3348	184	11,2 x 10 <sup>6</sup>	179				

\*115V on request

\*\*Theoretical estimated range

\*\*\*H: Pedestal for high mounting

\*\*\*\*Other versions on request



Type	A	B(Ø)	C	D	E
SH260	330	330	1355	445	555
SH310	390	380	1420	590	620
SH370	435	420	1470	540	670
SH470	410	520	1580	640	780

Measures in mm

Norselight AS, P.O. Box 1006, NO - 1787 Berg, NORWAY, TELEPHONE: (+47) 69 17 99 99  
TELEFAX: (+47) 69 17 99 89, E-MAIL: office@norselight.no, INTERNET: www.norselight.com