

Halogen Searchlight

NORSElight



SH 255 BH - SH 355 BH Bridge operated

Features

- Designed to meet applicable marine requirements IP56
- Adjustable beam
- Heat-resistant, silicon rubber front ring gasket
- Seawater-resistant, aluminium housing finished in white Corrocoat polyester
- Hardened front glass
- Durable silver-plated glass reflector specially designed for halogen bulbs
- Stainless steel fork, screws and nuts
- Antidazzle louvre
- Pedestal

Applications

The Halogen searchlights SH 255 and SH 355 are intended for all ships.

Built with corrosion-resistant components, the searchlights are designed for extreme marine environments and require minimum maintenance.

Lightweight and simple to mount, these searchlights are designed to operate in all kinds of temperatures.

Options

- Thermostat controlled heating in drum
- Spread filter
- Canvas cover



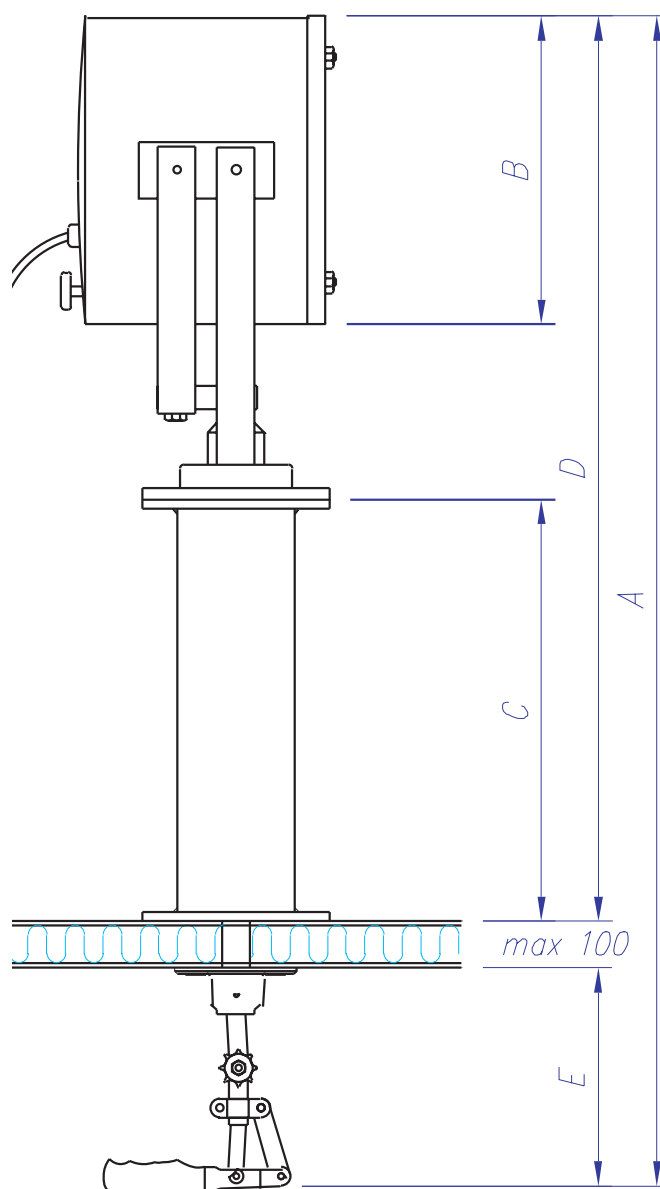
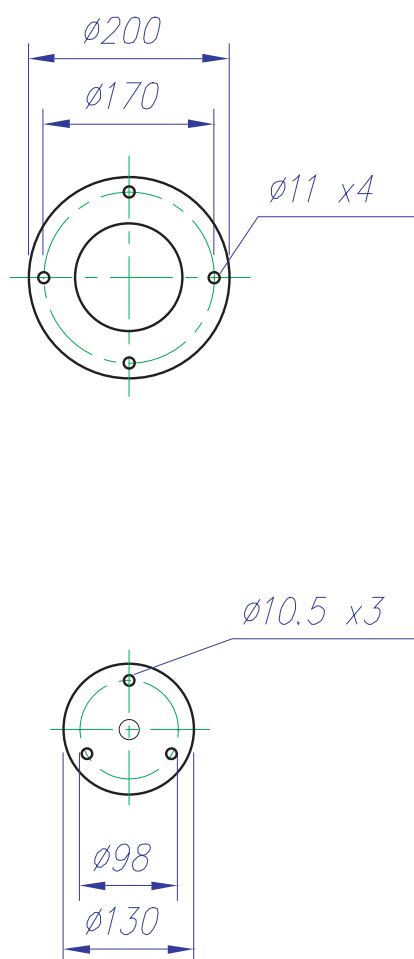
Technical data

SH 255 BH, SH 355 BH

Type	Voltage (Volt)	Power (Watt)	Lamp holder	Distri-bution	Range ** (m)	Covered area Ø (m)	Intensity at 250m (lux)	Lamp-lifetime* (h)	weight
					at 1 lux				
SH 255	24	250	Gx6,35	7,6%	2453	340	104	300	29,6
SH 355	24	500	E-40	5,8%	2063	208	68	150	31
SH 355	115	1000	Gx9,5	11%	2063	208	68	750	31
SH 355	230	1000	Gx9,5	11%	1540	295	36	750	31

*According to manufacturers specifications

**Theoretical estimated range



Type	A	B(Ø)	C	D	E
SH 255	1250	330	450	967	233
SH 355	1325	380	450	1042	233

Measures in mm