

# NAVIGATION LIGHTS

COLREG'72

**DHR 70**



DOUBLE TIER

NAVIGATION LIGHTS **DHR 70** FOR SEAGOING VESSELS OF 20 MTRS OR MORE IN LENGTH ACCORDING TO AND COMPLYING WITH INTERNATIONAL REGULATIONS FOR PREVENTING COLLISIONS AT SEA (COLREG'72)

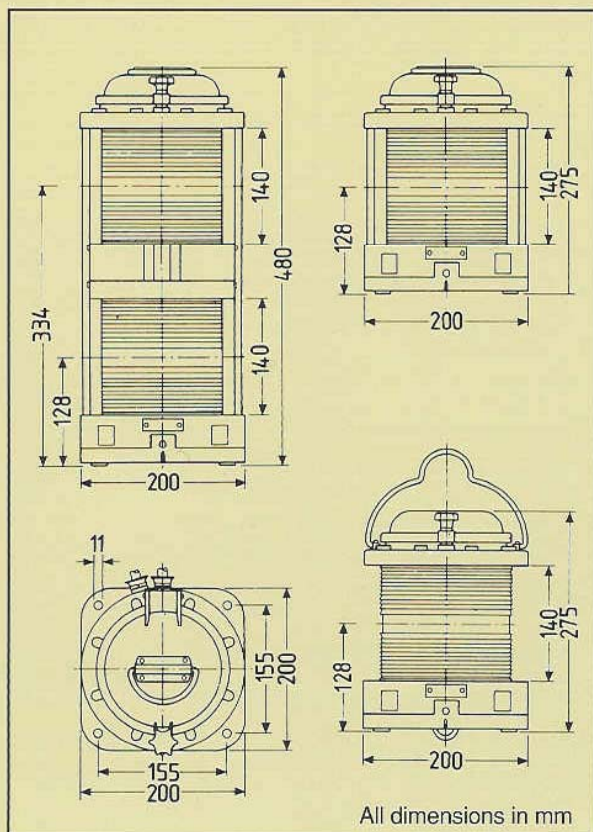


SINGLE TIER



HOISTABLE

## TECHNICAL DATA



### Materials:

Mat black polycarbonate, reinforced with fibre glass  
Metal parts non-corrosive, seawater resistant, non magnetic

### Optics:

Fresnel polycarbonate lenses, shock resistant, interchangeable

### Protection class:

IP56

### Electrical installation:

Wired with neoprene cable 3 x 1,5 mm<sup>2</sup>

Cable gland Pg 13

### Bulbs (normalised):

220V - 65W - 60cd

110V - 60W - 60cd

24V - 40W - 60cd

Lampholder P28s (Italy B22)

Voltage to be specified when ordering

### Mounting:

Base mounting standard for all lights

Hoistable for single all round lights

### Positioning:

See drawing

### Maintenance:

All parts are made of non-corrosive materials and do not require any special protective care.

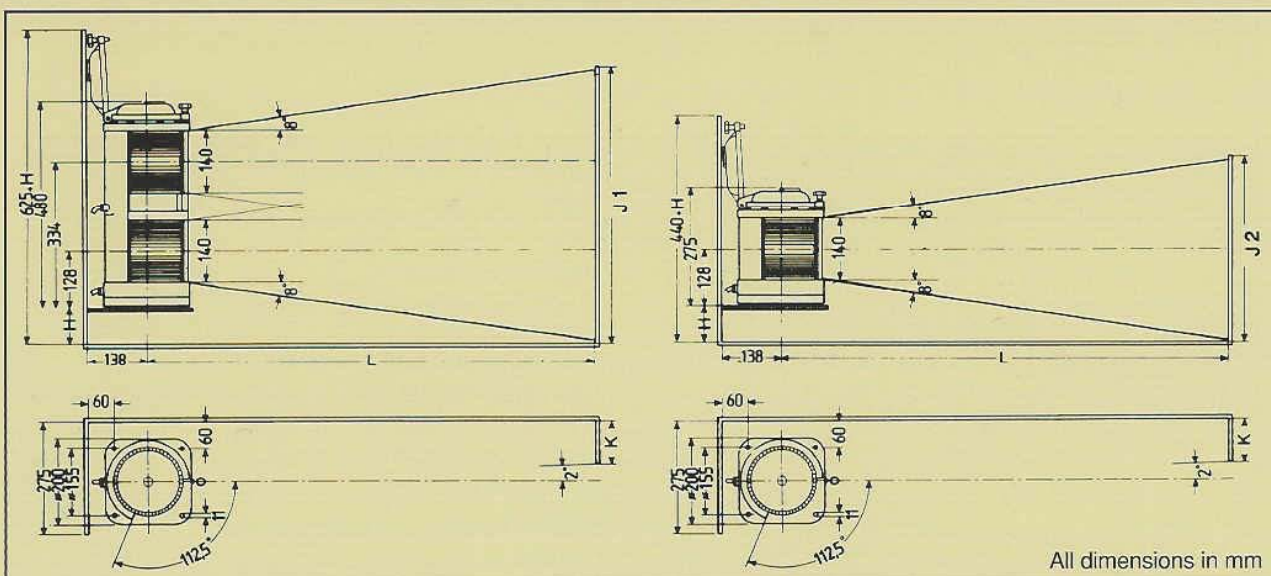
These parts can be supplied as back-up spares for on board servicing.

**NAVIGATION LIGHTS**
**DHR 70**
**DOUBLE TIER**

| SECTIONAL | colour    | order no.   | horiz. sector | visibility | kg  |
|-----------|-----------|-------------|---------------|------------|-----|
| Starboard | green     | SB21        | 112,5°        | 3 n.m.     | 5,1 |
| Port      | red       | BB22        | 112,5°        | 3 n.m.     | 5,1 |
| Masthead  | white     | T23         | 225°          | 6 n.m.     | 4,7 |
| Stern     | white     | H24         | 135°          | 3 n.m.     | 5,0 |
| Towing    | yellow    | SL25        | 135°          | 3 n.m.     | 5,0 |
| ALL ROUND | colour    | order no.   | horiz. sector | visibility | kg  |
| White     | white     | RWT26       | 360°          | 3 n.m.     | 4,1 |
| Red       | red       | RRD27       | 360°          | 3 n.m.     | 4,1 |
| Green     | green     | RGR28       | 360°          | 3 n.m.     | 4,1 |
| Green/Red | green/red | RGR18/RRD17 | 360°          | 3 n.m.     | 4,1 |
| Red/Green | red/green | RRD17/RGR18 | 360°          | 3 n.m.     | 4,1 |

**NAVIGATION LIGHTS**
**DHR 70**
**SINGLE TIER**

| SECTIONAL           | colour | order no. | horiz. sector | visibility | kg  |
|---------------------|--------|-----------|---------------|------------|-----|
| Starboard           | green  | SB11      | 112,5°        | 3 n.m.     | 2,9 |
| Port                | red    | BB12      | 112,5°        | 3 n.m.     | 2,9 |
| Masthead            | white  | T13       | 225°          | 6 n.m.     | 2,6 |
| Stern               | white  | H14       | 135°          | 3 n.m.     | 2,8 |
| Towing              | yellow | SL15      | 135°          | 3 n.m.     | 2,8 |
| Elbe                | white  | H14E      | 135°          | 3 n.m.     | 2,8 |
| Suez                | red    | H14R      | 135°          | 3 n.m.     | 2,8 |
| ALL ROUND           | colour | order no. | horiz. sector | visibility | kg  |
| White               | white  | RWT16     | 360°          | 3 n.m.     | 2,5 |
| Red                 | red    | RRD17     | 360°          | 3 n.m.     | 2,5 |
| Green               | green  | RGR18     | 360°          | 3 n.m.     | 2,5 |
| Yellow              | yellow | RGL19     | 360°          | 3 n.m.     | 2,5 |
| Manoeuvring         | white  | RWT16M    | 360°          | 5 n.m.     | 2,5 |
| ALL ROUND HOISTABLE | colour | order no. | horiz. sector | visibility | kg  |
| White               | white  | RWT16H    | 360°          | 3 n.m.     | 2,6 |
| Red                 | red    | RRD17H    | 360°          | 3 n.m.     | 2,6 |
| Green               | green  | RGR18H    | 360°          | 3 n.m.     | 2,6 |



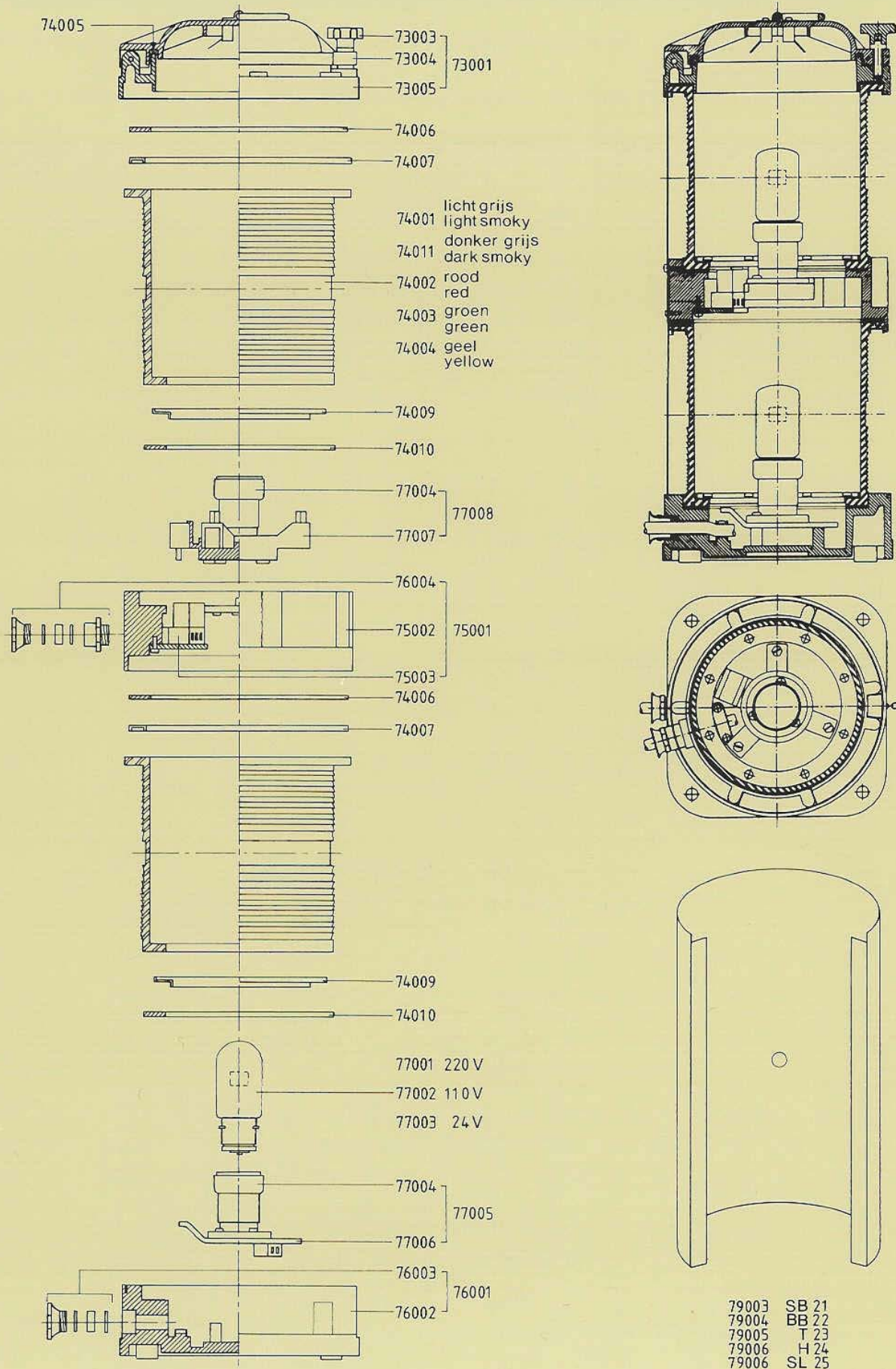
| L   | H  | K   | J1  | J2  |
|-----|----|-----|-----|-----|
| 460 | 0  | 122 | 470 | 270 |
| 500 | 6  | 121 | 480 | 280 |
| 600 | 20 | 118 | 510 | 310 |
| 700 | 34 | 113 | 540 | 340 |
| 800 | 48 | 109 | 565 | 365 |
| 910 | 63 | 105 | 600 | 400 |

**POSITIONING OF SIDE LIGHTS**
**DHR 70**

|   |                 |                  |             |
|---|-----------------|------------------|-------------|
| 1 | STARBOARD LIGHT | SB 21            | DOUBLE TIER |
| 2 | STARBOARD LIGHT | SB 11            | SINGLE TIER |
| 3 | INBOARD SCREEN  | INSIDE MAT BLACK |             |

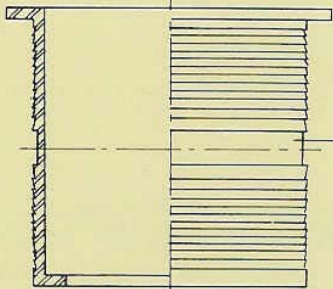
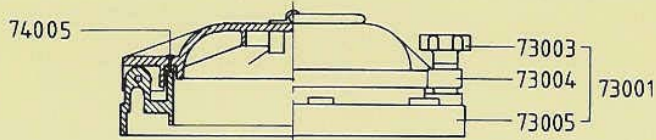
# SPARE PARTS DOUBLE TIER

**DHR 70**

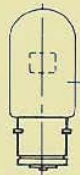


# SPARE PARTS SINGLE TIER

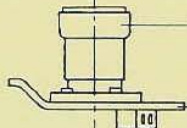
**DHR 70**



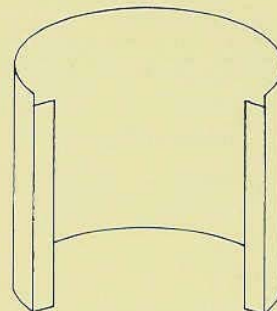
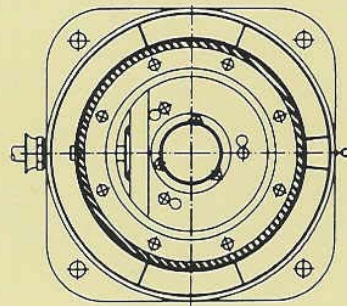
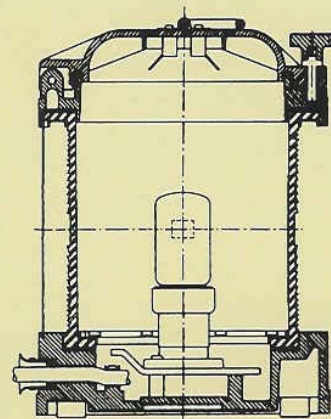
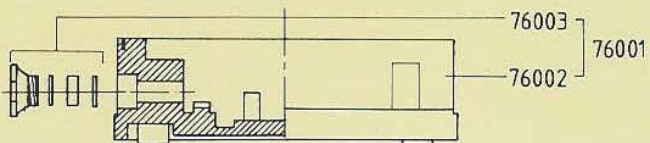
- 74001 licht grijs  
light smoky
- 74011 donker grijs  
dark smoky
- 74002 rood  
red
- 74003 groen  
green
- 74004 geel  
yellow



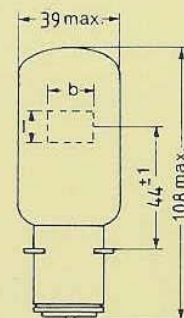
- 77001 220 V
- 77002 110 V
- 77003 24 V



- 77004 } 77005
- 77006



- 79007 SB11
- 79007 BB12
- 79008 T13
- 79009 H14
- 79009 SL15



| P28s<br>DIN 49 841-B110-60 |    |    |      |             |       |
|----------------------------|----|----|------|-------------|-------|
| V                          | W  | cd | b    | l           | Kmin. |
| 24                         | 40 |    | 0,72 | 13,5 ± 1,35 |       |
| 110                        | 60 | 60 |      |             | 2360° |
| 220                        | 65 |    | 15   | 11,5 ± 0,15 |       |